

Design  
Pro LED

HARDSCAPE, DECK, STEP & BENCH LIGHTS



KICHLER

## Discover LED like you've never seen it.

Unique Hardscape LED light fixtures that are:

- Available in multiple Kelvin temperature options: warm white 2700K, pure white 3000K and cool white 4200K
- Available in 1, 3, 6, and 9 LED fixtures
- Long-life LED light source — 40,000 hours at industry standard L70
- Tested to withstand the elements for years of enjoyment
- Easy to install
- Easily adapts to almost any hardscape, deck, step, or bench application
- Finishes compliment popular stone and decking options: Textured Architectural Bronze, Bronzed Brass, Copper, Gray, Sand and Textured White



## Multiple Kelvin Temperatures



Warm White  
2700K



Pure White  
3000K

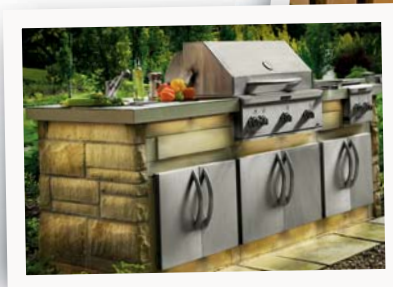
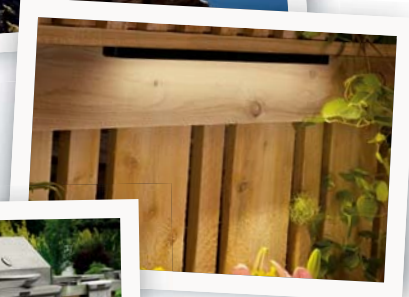
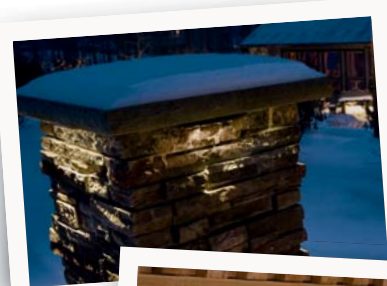


Cool White  
4200K

## Maximum Flexibility

Easy installation, low voltage usage, low profile (.66" wide) and low heat output of Design Pro LED enables them to be used in a variety of outdoor applications.

- Retaining walls of all types – new and existing construction
- Brick or stone columns
- Under all types of steps, including wood, composite, stone and brick, etc., with and without risers
- Under deck and chair/hand and fence rails
- Lips or the undersides of a wide variety of outdoor surfaces
- Pergolas
- Outdoor kitchen and bar areas (under lips and toe kicks)
- Raised beds/planters
- Boat docks (as permitted by local codes)
- Customize illumination by mounting farther back, for a scalloped effect, or forward for a more even effect





A built-in driver and an operable voltage range of 9-15V virtually eliminate voltage drop in every Design Pro LED Hardscape, Deck, Step & Bench Light fixture.



## Easy to Install

Thoughtful design, so whether new or existing construction, you can design effectively and install it efficiently.



### NEW CONSTRUCTION

LED Light fixture and stainless steel mounting bracket are preassembled and ready to install.

### RETROFIT

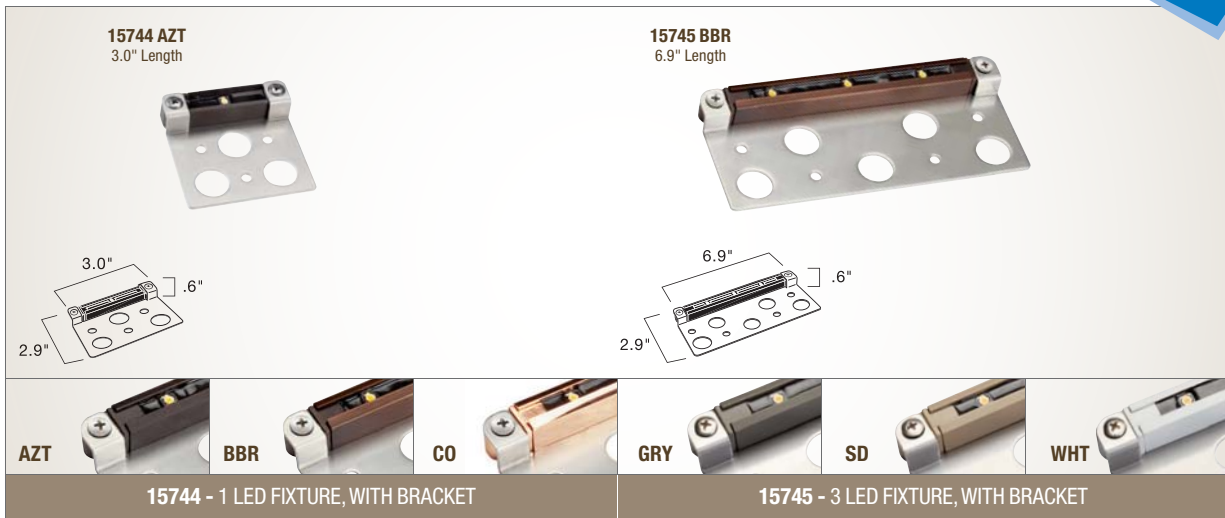
Need to mount on a flat or vertical surface? No problem. The available flat mount accessory brackets (15716 SS, 15717 SS, 15718 SS, 15719 SS) allow for a variety of retrofit and new build applications.

### DECK, STEP & BENCH INSTALLATION

Don't need the brackets? Don't pay for them. Kichler provides the product options that make it convenient for your specific job. For non-hardscape applications, the threaded screw holders also allow for easy install. In fact you can mount these LED fixtures on any surface where you can drill two holes.

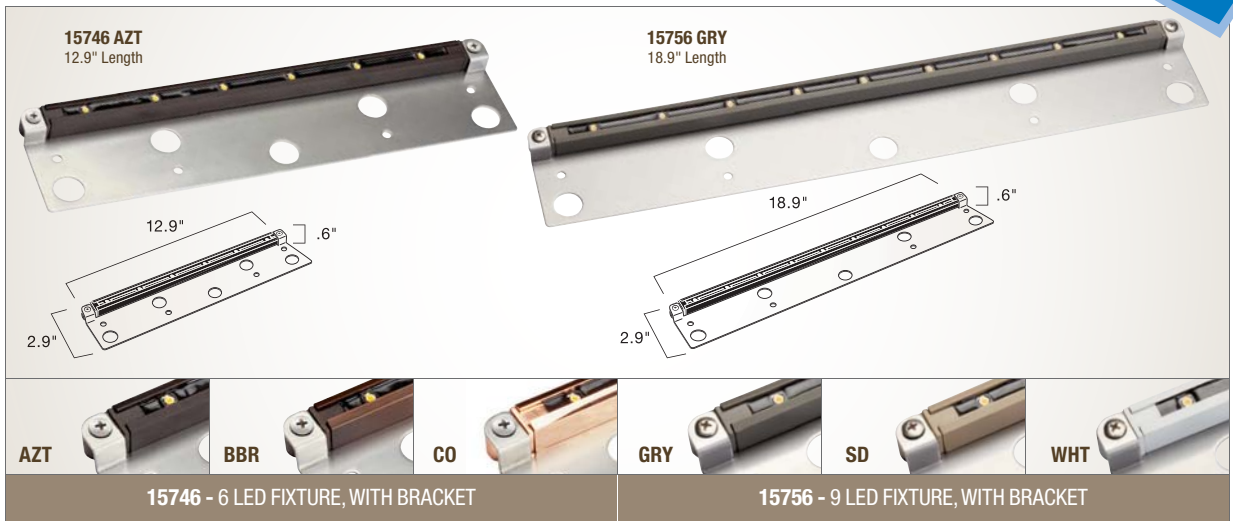
## Hardscape Spacing Recommendations

| Item ID         | 15734 (3")  | 15735 (6") | 15736 (12") | 15755 (18") |
|-----------------|---|------------|-------------|-------------|
| Mounting Height | RECOMMENDED SPACING (CENTER TO CENTER OF FIXTURE) |            |             |             |
| 12"             | 12"   | 2'         | 3'          | 4'          |
| 24"             | 9"  | 3'         | 4'          | 5'          |
| 36"             | 7"  | 4'         | 6'          | 8'          |



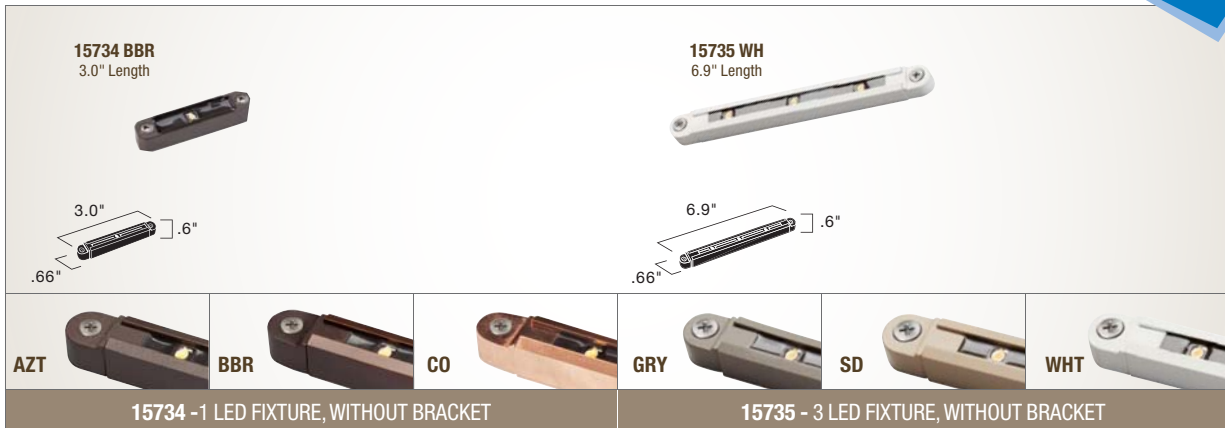
|   | 15744 - 1 LED FIXTURE, WITH BRACKET   |  |  | 15745 - 3 LED FIXTURE, WITH BRACKET   |  |  |
|---|---|--|--|---|--|--|
| <b>Ordering Guide</b>                           | 2700K Warm White  | 3000K Pure White   | 4200K Cool White   | 2700K Warm White  | 3000K Pure White   | 4200K Cool White   |
|   | 15744 AZT27<br>15744 BBR27<br>15744 CO27<br>15744 GRY27<br>15744 SD27<br>15744 WHT27  | 15744 AZT30<br>15744 BBR30<br>15744 CO30<br>15744 GRY30<br>15744 SD30<br>15744 WHT30 | 15744 AZT42<br>15744 BBR42<br>15744 CO42<br>15744 GRY42<br>15744 SD42<br>15744 WHT42 | 15745 AZT27<br>15745 BBR27<br>15745 CO27<br>15745 GRY27<br>15745 SD27<br>15745 WHT27  | 15745 AZT30<br>15745 BBR30<br>15745 CO30<br>15745 GRY30<br>15745 SD30<br>15745 WHT30 | 15745 AZT42<br>15745 BBR42<br>15745 CO42<br>15745 GRY42<br>15745 SD42<br>15745 WHT42 |
| <b>Finish Guide</b>                             | AZT - Textured Architectural Bronze (Marine grade powder coat)<br>BBR - Bronzed Brass<br>CO - Unfinished Copper<br>GRY - Textured Gray (Marine grade powder coat)<br>SD - Textured Sand (Marine grade powder coat)<br>WHT - Textured White (Marine grade powder coat) |  |  | AZT - Textured Architectural Bronze (Marine grade powder coat)<br>BBR - Bronzed Brass<br>CO - Unfinished Copper<br>GRY - Textured Gray (Marine grade powder coat)<br>SD - Textured Sand (Marine grade powder coat)<br>WHT - Textured White (Marine grade powder coat) |  |  |
| <b>Housing</b>                                  | Cast Aluminum, Cast Brass, Copper Plated Brass (Copper will naturally patina over time)   |  |  | Cast Aluminum, Cast Brass, Copper Plated Brass (Copper will naturally patina over time)   |  |  |
| <b>Light Source</b>                             | 1 Integrated High Output Nichia® LED, tightly binned for color uniformity, and constant current driver  |  |  | 3 Integrated High Output Nichia® LEDs, tightly binned for color uniformity, and constant current driver   |  |  |
| <b>Beam Spread</b>                              | 55°   |  |  | 55°   |  |  |
| <b>Color Temp. (CCT) &amp; CRI</b>              | 2700K (-280/+0) 3000K (-200/+175) 4200K (-400/+400) / 80s CRI   |  |  | 2700K (-280/+0) 3000K (-200/+175) 4200K (-400/+400) / 80s CRI   |  |  |
| <b>Power Usage at 12V AC Input VA and Watts</b> | 0.19 W, 0.28 VA<br>Multiply fixture VA by the number of fixtures used to determine size of transformer  |  |  | .75 W, 1.3 VA<br>Multiply fixture VA by the number of fixtures used to determine size of transformer  |  |  |
| <b>Operating Voltage Range</b>                  | 9V-15V AC/DC with no loss in output due to constant current technology  |  |  | 9V-15V AC/DC with no loss in output due to constant current technology  |  |  |
| <b>Lumen Main.</b>                              | Tested to an L-70 of 40,000 hours   |  |  | Tested to an L-70 of 40,000 hours   |  |  |
| <b>Total Lumens &amp; Efficacy</b>              | 2700K = 8.4 Lm 2700K = 44 Lm/W<br>3000K = 8.6 Lm 3000K = 45 Lm/W<br>4200K = 11.0 Lm 4200K = 58 Lm/W   |  |  | 2700K = 34.7 Lm 2700K = 46 Lm/W<br>3000K = 44.5 Lm 3000K = 59 Lm/W<br>4200K = 51.9 Lm 4200K = 69 Lm/W   |  |  |
| <b>Wiring</b>                                   | 70" of usable #18-2, SPT-1W leads. Pro series wire connectors supplied  |  |  | 70" of usable #18-2, SPT-1W leads. Pro series wire connectors supplied  |  |  |
| <b>Mounting</b>                                 | Stainless steel masonry bracket and mounting screws   |  |  | Stainless steel masonry bracket and mounting screws   |  |  |
| <b>Optional Acces.</b>                          | 15716 SS - 1 LED Accessory Bracket  |  |  | 15717 SS - 3 LED Accessory Bracket  |  |  |
| <b>Notes</b>                                    | Subjected to Highly Accelerated Life Testing - 3rd party reliability testing<br>Not for use with electronic transformers  |  |  | Subjected to Highly Accelerated Life Testing - 3rd party reliability testing<br>Not for use with electronic transformers  |  |  |
| <b>Fixture Photometric* (fc)</b>                | Mounting Height   | 0'   | 1'   | 2'  | 3'   | 4'   |
|   | Foot candles at 12"   | 8.65   | 1.10   | 0.07  | 0.03   | 0.02   |
|   | Foot candles at 24"   | 2.08   | 0.98   | 0.30  | 0.06   | 0.04   |
|   | Foot candles at 36"   | 0.95   | 0.61   | 0.30  | 0.14   | 0.06   |
|   | Mounting Height   | 0'   | 1'   | 2'  | 3'   | 4'   |
|   | Foot candles at 12"   | 43.7   | 4.89   | 0.31  | 0.12   | 0.07   |
|   | Foot candles at 24"   | 10.7   | 4.87   | 1.29  | 0.12   | 0.08   |
|   | Foot candles at 36"   | 4.96   | 3.14   | 1.56  | 0.67   | 0.24   |

\*Values stated for 3000K. +10% for 4200K. -10% for 2700K.



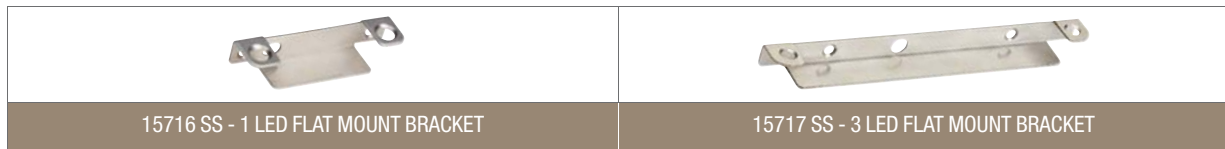
|   | 15746 - 6 LED FIXTURE, WITH BRACKET   |  |  | 15756 - 9 LED FIXTURE, WITH BRACKET   |  |  |
|---|---|--|--|---|--|--|
| <b>Ordering Guide</b>                           | 2700K Warm White  | 3000K Pure White   | 4200K Cool White   | 2700K Warm White  | 3000K Pure White   | 4200K Cool White   |
|   | 15746 AZT27<br>15746 BBR27<br>15746 CO27<br>15746 GRY27<br>15746 SD27<br>15746 WHT27  | 15746 AZT30<br>15746 BBR30<br>15746 CO30<br>15746 GRY30<br>15746 SD30<br>15746 WHT30 | 15746 AZT42<br>15746 BBR42<br>15746 CO42<br>15746 GRY42<br>15746 SD42<br>15746 WHT42 | 15756 AZT27<br>15756 BBR27<br>15756 CO27<br>15756 GRY27<br>15756 SD27<br>15756 WHT27  | 15756 AZT30<br>15756 BBR30<br>15756 CO30<br>15756 GRY30<br>15756 SD30<br>15756 WHT30 | 15756 AZT42<br>15756 BBR42<br>15756 CO42<br>15756 GRY42<br>15756 SD42<br>15756 WHT42 |
| <b>Finish Guide</b>                             | AZT - Textured Architectural Bronze (Marine grade powder coat)<br>BBR - Bronzed Brass<br>CO - Unfinished Copper<br>GRY - Textured Gray (Marine grade powder coat)<br>SD - Textured Sand (Marine grade powder coat)<br>WHT - Textured White (Marine grade powder coat) |  |  | AZT - Textured Architectural Bronze (Marine grade powder coat)<br>BBR - Bronzed Brass<br>CO - Unfinished Copper<br>GRY - Textured Gray (Marine grade powder coat)<br>SD - Textured Sand (Marine grade powder coat)<br>WHT - Textured White (Marine grade powder coat) |  |  |
| <b>Housing</b>                                  | Cast Aluminum, Cast Brass, Copper Plated Brass (Copper will naturally patina over time)   |  |  | Cast Aluminum, Cast Brass, Copper Plated Brass (Copper will naturally patina over time)   |  |  |
| <b>Light Source</b>                             | 6 Integrated High Output Nichia® LEDs, tightly binned for color uniformity, and constant current driver   |  |  | 9 Integrated High Output Nichia® LEDs, tightly binned for color uniformity, and constant current driver   |  |  |
| <b>Beam Spread</b>                              | 55°   |  |  | 55°   |  |  |
| <b>Color Temp. (CCT) &amp; CRI</b>              | 2700K (-280/+0) 3000K (-200/+175) 4200K (-400/+400) / 80s CRI   |  |  | 2700K (-280/+0) 3000K (-200/+175) 4200K (-400/+400) / 80s CRI   |  |  |
| <b>Power Usage at 12V AC Input VA and Watts</b> | 1.4 W, 2.4 VA<br>Multiply fixture VA by the number of fixtures used to determine size of transformer  |  |  | 2.2 W, 3.7 VA<br>Multiply fixture VA by the number of fixtures used to determine size of transformer  |  |  |
| <b>Operating Voltage Range</b>                  | 9V-15V AC/DC with no loss in output due to constant current technology  |  |  | 9V-15V AC/DC with no loss in output due to constant current technology  |  |  |
| <b>Lumen Main.</b>                              | Tested to an L-70 of 40,000 hours   |  |  | Tested to an L-70 of 40,000 hours   |  |  |
| <b>Total Lumens &amp; Efficacy</b>              | 2700K = 69.5 Lm 2700K = 49 Lm/W<br>3000K = 88 Lm 3000K = 63 Lm/W<br>4200K = 101.5 Lm 4200K = 73 Lm/W  |  |  | 2700K = 104.2 Lm 2700K = 47 Lm/W<br>3000K = 132 Lm 3000K = 60 Lm/W<br>4200K = 151.8 Lm 4200K = 69 Lm/W  |  |  |
| <b>Wiring</b>                                   | 70" of usable #18-2, SPT-1W leads. Pro series wire connectors supplied  |  |  | 70" of usable #18-2, SPT-1W leads. Pro series wire connectors supplied  |  |  |
| <b>Mounting</b>                                 | Stainless steel masonry bracket and mounting screws   |  |  | Stainless steel masonry bracket and mounting screws   |  |  |
| <b>Optional Acces.</b>                          | 15718 SS - 6 LED Accessory Bracket  |  |  | 15719 SS - 9 LED Accessory Bracket  |  |  |
| <b>Notes</b>                                    | Subjected to Highly Accelerated Life Testing - 3rd party reliability testing<br>Not for use with electronic transformers  |  |  | Subjected to Highly Accelerated Life Testing - 3rd party reliability testing<br>Not for use with electronic transformers  |  |  |
| <b>Fixture Photometric* (fc)</b>                | Mounting Height   | 0'   | 1'   | 2'  | 3'   | 4'   |
|   | Foot candles at 12"   | 65.10  | 9.74   | 0.60  | 0.22   | 0.14   |
|   | Foot candles at 24"   | 19.64  | 9.15   | 2.72  | 0.48   | 0.24   |
|   | Foot candles at 36"   | 9.16   | 5.82   | 2.74  | 1.00   | 0.30   |
|   | Mounting Height   | 0'   | 1'   | 2'  | 3'   | 4'   |
|   | Foot candles at 12"   | 80.40  | 12.00  | 1.08  | 0.36   | 0.21   |
|   | Foot candles at 24"   | 26.81  | 13.13  | 3.81  | 0.91   | 0.39   |
|   | Foot candles at 36"   | 13.51  | 8.43   | 4.55  | 1.78   | 0.62   |

\*Values stated for 3000K. +10% for 4200K. -10% for 2700K.



**15734 - 1 LED FIXTURE, WITHOUT BRACKET**      **15735 - 3 LED FIXTURE, WITHOUT BRACKET**

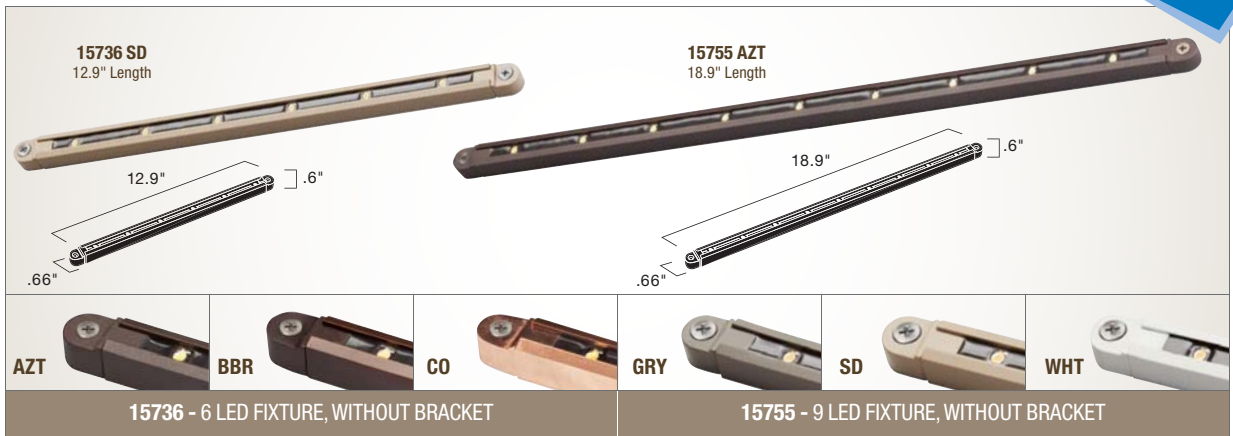
|   |   |   |
|---|---|---|
| <b>Ordering Guide &amp; Finish</b>              | 15734 AZT30 - Textured Architectural Bronze (Marine grade powder coat)<br>15734 BBR30 - Bronzed Brass<br>15734 CO30 - Unfinished Copper<br>15734 GRY30 - Textured Gray (Marine grade powder coat)<br>15734 SD30 - Textured Sand (Marine grade powder coat)<br>15734 WHT30 - Textured White (Marine grade powder coat) | 15735 AZT30 - Textured Architectural Bronze (Marine grade powder coat)<br>15735 BBR30 - Bronzed Brass<br>15735 CO30 - Unfinished Copper<br>15735 GRY30 - Textured Gray (Marine grade powder coat)<br>15735 SD30 - Textured Sand (Marine grade powder coat)<br>15735 WHT30 - Textured White (Marine grade powder coat) |
| <b>Housing</b>                                  | Cast Aluminum, Cast Brass, Copper Plated Brass (Copper will naturally patina over time)   | Cast Aluminum, Cast Brass, Copper Plated Brass (Copper will naturally patina over time)   |
| <b>Light Source</b>                             | 1 Integrated High Output Nichia® LED, tightly binned for color uniformity, and constant current driver  | 3 Integrated High Output Nichia® LEDs, tightly binned for color uniformity, and constant current driver   |
| <b>Beam Spread</b>                              | 55°   | 55°   |
| <b>Color Temp. (CCT) &amp; CRI</b>              | 3000K (-200/+125) / 80s CRI   | 3000K (-200/+125) / 80s CRI   |
| <b>Power Usage at 12V AC Input VA and Watts</b> | 0.19 W, 0.28 VA<br>Multiply fixture VA by the number of fixtures used to determine size of transformer  | .75 W, 1.3 VA<br>Multiply fixture VA by the number of fixtures used to determine size of transformer  |
| <b>Operating Voltage Range</b>                  | 9V-15V AC/DC with no loss in output due to constant current technology  | 9V-15V AC/DC with no loss in output due to constant current technology  |
| <b>Lumen Main.</b>                              | Tested to an L-70 of 40,000 hours   | Tested to an L-70 of 40,000 hours   |
| <b>Total Lumens &amp; Efficacy</b>              | 3000K = 8.6 Lm<br>3000K = 45 Lm/W   | 3000K = 44.5 Lm<br>3000K = 59 Lm/W  |
| <b>Wiring</b>                                   | 70" of usable #18-2, SPT-1W leads. Pro series wire connectors supplied  | 70" of usable #18-2, SPT-1W leads. Pro series wire connectors supplied  |
| <b>Mounting</b>                                 | Stainless steel mounting screws   | Stainless steel masonry bracket and mounting screws   |
| <b>Optional Acces.</b>                          | 15716 SS - 1 LED Accessory Bracket  | 15717 SS - 3 LED Accessory Bracket  |
| <b>Notes</b>                                    | Subjected to Highly Accelerated Life Testing - 3rd party reliability testing<br>Not for use with electronic transformers  | Subjected to Highly Accelerated Life Testing - 3rd party reliability testing<br>Not for use with electronic transformers  |
| <b>Fixture Photometric (fc)</b>                 | Mounting Height    0'    1'    2'    3'    4'   | Mounting Height    0'    1'    2'    3'    4'   |
|   | Foot candles at 12"    8.65    1.10    0.07    0.03    0.02   | Foot candles at 12"    43.7    4.89    0.31    0.12    0.07   |
|   | Foot candles at 24"    2.08    0.98    0.30    0.06    0.04   | Foot candles at 24"    10.7    4.87    1.29    0.12    0.08   |
|   | Foot candles at 36"    0.95    0.61    0.30    0.14    0.06   | Foot candles at 36"    4.96    3.14    1.56    0.67    0.24   |



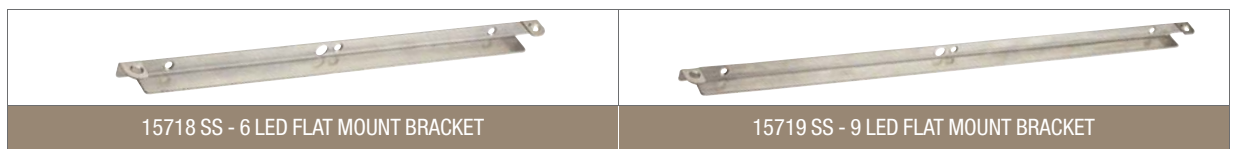
|                   |  |  |
|-------------------|--|--|
| <b>Fits</b>       | Fits 15734, 15744 (1 LED)                  | Fits 15735, 15745 (3 LED)                        |
| <b>Dimensions</b> | Width - .66", Length - 3.0", Height - .60" | Width - .66", Length - 6.9", Height - .60"       |
| <b>Finish</b>     | Stainless Steel                            | Stainless Steel                                  |
| <b>Notes</b>      | Mounting hardware included.                | Mounting hardware included. U.S. Patent Pending. |

# DESIGN PRO LED 12V HARDSCAPE, DECK, STEP AND BENCH

POWERED BY  
DESIGN PRO LED  
TECHNOLOGY



|   | 15736 - 6 LED FIXTURE, WITHOUT BRACKET  | 15755 - 9 LED FIXTURE, WITHOUT BRACKET  |      |      |      |    |    |                     |       |      |      |      |      |                     |       |      |      |      |      |                     |      |      |      |      |      |  |                 |    |    |    |    |    |                     |       |       |      |      |      |                     |       |       |      |      |      |                     |       |      |      |      |      |
|---|---|---|------|------|------|----|----|---------------------|-------|------|------|------|------|---------------------|-------|------|------|------|------|---------------------|------|------|------|------|------|--|-----------------|----|----|----|----|----|---------------------|-------|-------|------|------|------|---------------------|-------|-------|------|------|------|---------------------|-------|------|------|------|------|
| <b>Ordering Guide &amp; Finish</b>              | 15736 AZT30 - Textured Architectural Bronze (Marine grade powder coat)<br>15736 BBR30 - Bronzed Brass<br>15736 CO30 - Unfinished Copper<br>15736 GRY30 - Textured Gray (Marine grade powder coat)<br>15736 SD30 - Textured Sand (Marine grade powder coat)<br>15736 WHT30 - Textured White (Marine grade powder coat)   | 15755 AZT30 - Textured Architectural Bronze (Marine grade powder coat)<br>15755 BBR30 - Bronzed Brass<br>15755 CO30 - Unfinished Copper<br>15755 GRY30 - Textured Gray (Marine grade powder coat)<br>15755 SD30 - Textured Sand (Marine grade powder coat)<br>15755 WHT30 - Textured White (Marine grade powder coat) |      |      |      |    |    |                     |       |      |      |      |      |                     |       |      |      |      |      |                     |      |      |      |      |      |  |                 |    |    |    |    |    |                     |       |       |      |      |      |                     |       |       |      |      |      |                     |       |      |      |      |      |
| <b>Housing</b>                                  | Aluminum, Brass, Copper Plated Brass (Copper will naturally patina over time)   | Aluminum, Brass, Copper Plated Brass (Copper will naturally patina over time)   |      |      |      |    |    |                     |       |      |      |      |      |                     |       |      |      |      |      |                     |      |      |      |      |      |  |                 |    |    |    |    |    |                     |       |       |      |      |      |                     |       |       |      |      |      |                     |       |      |      |      |      |
| <b>Light Source</b>                             | 6 Integrated High Output Nichia® LEDs, tightly binned for color uniformity, and constant current driver   | 9 Integrated High Output Nichia® LEDs, tightly binned for color uniformity, and constant current driver   |      |      |      |    |    |                     |       |      |      |      |      |                     |       |      |      |      |      |                     |      |      |      |      |      |  |                 |    |    |    |    |    |                     |       |       |      |      |      |                     |       |       |      |      |      |                     |       |      |      |      |      |
| <b>Beam Spread</b>                              | 55°   | 55°   |      |      |      |    |    |                     |       |      |      |      |      |                     |       |      |      |      |      |                     |      |      |      |      |      |  |                 |    |    |    |    |    |                     |       |       |      |      |      |                     |       |       |      |      |      |                     |       |      |      |      |      |
| <b>Color Temp. (CCT) &amp; CRI</b>              | 3000K (-200/+125) / 80s CRI   | 3000K (-200/+125) / 80s CRI   |      |      |      |    |    |                     |       |      |      |      |      |                     |       |      |      |      |      |                     |      |      |      |      |      |  |                 |    |    |    |    |    |                     |       |       |      |      |      |                     |       |       |      |      |      |                     |       |      |      |      |      |
| <b>Power Usage at 12V AC Input VA and Watts</b> | 1.4 W, 2.4 VA<br>Multiply fixture VA by the number of fixtures used to determine size of transformer  | 2.2 W, 3.7 VA<br>Multiply fixture VA by the number of fixtures used to determine size of transformer  |      |      |      |    |    |                     |       |      |      |      |      |                     |       |      |      |      |      |                     |      |      |      |      |      |  |                 |    |    |    |    |    |                     |       |       |      |      |      |                     |       |       |      |      |      |                     |       |      |      |      |      |
| <b>Operating Voltage Range</b>                  | 9V-15V AC/DC with no loss in output due to constant current technology  | 9V-15V AC/DC with no loss in output due to constant current technology  |      |      |      |    |    |                     |       |      |      |      |      |                     |       |      |      |      |      |                     |      |      |      |      |      |  |                 |    |    |    |    |    |                     |       |       |      |      |      |                     |       |       |      |      |      |                     |       |      |      |      |      |
| <b>Lumen Main.</b>                              | Tested to an L-70 of 40,000 hours   | Tested to an L-70 of 40,000 hours   |      |      |      |    |    |                     |       |      |      |      |      |                     |       |      |      |      |      |                     |      |      |      |      |      |  |                 |    |    |    |    |    |                     |       |       |      |      |      |                     |       |       |      |      |      |                     |       |      |      |      |      |
| <b>Total Lumens &amp; Efficacy</b>              | 3000K = 88 Lm<br>3000K = 61 Lm/W  | 3000K = 132 Lm<br>3000K = 62 Lm/W   |      |      |      |    |    |                     |       |      |      |      |      |                     |       |      |      |      |      |                     |      |      |      |      |      |  |                 |    |    |    |    |    |                     |       |       |      |      |      |                     |       |       |      |      |      |                     |       |      |      |      |      |
| <b>Wiring</b>                                   | 70" of usable #18-2, SPT-1W leads. Pro series wire connectors supplied  | 70" of usable #18-2, SPT-1W leads. Pro series wire connectors supplied  |      |      |      |    |    |                     |       |      |      |      |      |                     |       |      |      |      |      |                     |      |      |      |      |      |  |                 |    |    |    |    |    |                     |       |       |      |      |      |                     |       |       |      |      |      |                     |       |      |      |      |      |
| <b>Mounting</b>                                 | Stainless steel masonry bracket and mounting screws   | Stainless steel masonry bracket and mounting screws   |      |      |      |    |    |                     |       |      |      |      |      |                     |       |      |      |      |      |                     |      |      |      |      |      |  |                 |    |    |    |    |    |                     |       |       |      |      |      |                     |       |       |      |      |      |                     |       |      |      |      |      |
| <b>Optional Acces.</b>                          | 15718 SS - 6 LED Accessory Bracket  | 15719 SS - 9 LED Accessory Bracket  |      |      |      |    |    |                     |       |      |      |      |      |                     |       |      |      |      |      |                     |      |      |      |      |      |  |                 |    |    |    |    |    |                     |       |       |      |      |      |                     |       |       |      |      |      |                     |       |      |      |      |      |
| <b>Notes</b>                                    | Subjected to Highly Accelerated Life Testing - 3rd party reliability testing<br>Not for use with electronic transformers  | Subjected to Highly Accelerated Life Testing - 3rd party reliability testing<br>Not for use with electronic transformers  |      |      |      |    |    |                     |       |      |      |      |      |                     |       |      |      |      |      |                     |      |      |      |      |      |  |                 |    |    |    |    |    |                     |       |       |      |      |      |                     |       |       |      |      |      |                     |       |      |      |      |      |
| <b>Fixture Photometric (fc)</b>                 | <table border="1"> <thead> <tr> <th>Mounting Height</th> <th>0'</th> <th>1'</th> <th>2'</th> <th>3'</th> <th>4'</th> </tr> </thead> <tbody> <tr> <td>Foot candles at 12"</td> <td>65.10</td> <td>9.74</td> <td>0.60</td> <td>0.22</td> <td>0.14</td> </tr> <tr> <td>Foot candles at 24"</td> <td>19.64</td> <td>9.15</td> <td>2.72</td> <td>0.48</td> <td>0.24</td> </tr> <tr> <td>Foot candles at 36"</td> <td>9.16</td> <td>5.82</td> <td>2.74</td> <td>1.00</td> <td>0.30</td> </tr> </tbody> </table> | Mounting Height   | 0'   | 1'   | 2'   | 3' | 4' | Foot candles at 12" | 65.10 | 9.74 | 0.60 | 0.22 | 0.14 | Foot candles at 24" | 19.64 | 9.15 | 2.72 | 0.48 | 0.24 | Foot candles at 36" | 9.16 | 5.82 | 2.74 | 1.00 | 0.30 | <table border="1"> <thead> <tr> <th>Mounting Height</th> <th>0'</th> <th>1'</th> <th>2'</th> <th>3'</th> <th>4'</th> </tr> </thead> <tbody> <tr> <td>Foot candles at 12"</td> <td>80.40</td> <td>12.00</td> <td>1.08</td> <td>0.36</td> <td>0.21</td> </tr> <tr> <td>Foot candles at 24"</td> <td>26.81</td> <td>13.13</td> <td>3.81</td> <td>0.91</td> <td>0.39</td> </tr> <tr> <td>Foot candles at 36"</td> <td>13.51</td> <td>8.43</td> <td>4.55</td> <td>1.78</td> <td>0.62</td> </tr> </tbody> </table> | Mounting Height | 0' | 1' | 2' | 3' | 4' | Foot candles at 12" | 80.40 | 12.00 | 1.08 | 0.36 | 0.21 | Foot candles at 24" | 26.81 | 13.13 | 3.81 | 0.91 | 0.39 | Foot candles at 36" | 13.51 | 8.43 | 4.55 | 1.78 | 0.62 |
| Mounting Height                                 | 0'  | 1'  | 2'   | 3'   | 4'   |    |    |                     |       |      |      |      |      |                     |       |      |      |      |      |                     |      |      |      |      |      |  |                 |    |    |    |    |    |                     |       |       |      |      |      |                     |       |       |      |      |      |                     |       |      |      |      |      |
| Foot candles at 12"                             | 65.10   | 9.74  | 0.60 | 0.22 | 0.14 |    |    |                     |       |      |      |      |      |                     |       |      |      |      |      |                     |      |      |      |      |      |  |                 |    |    |    |    |    |                     |       |       |      |      |      |                     |       |       |      |      |      |                     |       |      |      |      |      |
| Foot candles at 24"                             | 19.64   | 9.15  | 2.72 | 0.48 | 0.24 |    |    |                     |       |      |      |      |      |                     |       |      |      |      |      |                     |      |      |      |      |      |  |                 |    |    |    |    |    |                     |       |       |      |      |      |                     |       |       |      |      |      |                     |       |      |      |      |      |
| Foot candles at 36"                             | 9.16  | 5.82  | 2.74 | 1.00 | 0.30 |    |    |                     |       |      |      |      |      |                     |       |      |      |      |      |                     |      |      |      |      |      |  |                 |    |    |    |    |    |                     |       |       |      |      |      |                     |       |       |      |      |      |                     |       |      |      |      |      |
| Mounting Height                                 | 0'  | 1'  | 2'   | 3'   | 4'   |    |    |                     |       |      |      |      |      |                     |       |      |      |      |      |                     |      |      |      |      |      |  |                 |    |    |    |    |    |                     |       |       |      |      |      |                     |       |       |      |      |      |                     |       |      |      |      |      |
| Foot candles at 12"                             | 80.40   | 12.00   | 1.08 | 0.36 | 0.21 |    |    |                     |       |      |      |      |      |                     |       |      |      |      |      |                     |      |      |      |      |      |  |                 |    |    |    |    |    |                     |       |       |      |      |      |                     |       |       |      |      |      |                     |       |      |      |      |      |
| Foot candles at 24"                             | 26.81   | 13.13   | 3.81 | 0.91 | 0.39 |    |    |                     |       |      |      |      |      |                     |       |      |      |      |      |                     |      |      |      |      |      |  |                 |    |    |    |    |    |                     |       |       |      |      |      |                     |       |       |      |      |      |                     |       |      |      |      |      |
| Foot candles at 36"                             | 13.51   | 8.43  | 4.55 | 1.78 | 0.62 |    |    |                     |       |      |      |      |      |                     |       |      |      |      |      |                     |      |      |      |      |      |  |                 |    |    |    |    |    |                     |       |       |      |      |      |                     |       |       |      |      |      |                     |       |      |      |      |      |



|                   | 15718 SS - 6 LED FLAT MOUNT BRACKET              | 15719 SS - 9 LED FLAT MOUNT BRACKET              |
|-------------------|--|--|
| <b>Fits</b>       | Fits 15736, 15746 (6 LED)                        | Fits 15755, 15756 (9 LED)                        |
| <b>Dimensions</b> | Width - .66", Length - 12.9", Height - .60"      | Width - .66", Length - 18.9", Height - .60"      |
| <b>Finish</b>     | Stainless Steel                                  | Stainless Steel                                  |
| <b>Notes</b>      | Mounting hardware included. U.S. Patent Pending. | Mounting hardware included. U.S. Patent Pending. |

# ACCESSORIES & TRANSFORMERS

## CONNECTION ACCESSORIES

12-Gauge  
Low Voltage  
Cable



15501 BK – 100' length  
15502 BK – 250' length  
15505 BK – 500' length  
15506 BK – 1000' length

10-Gauge  
Low Voltage  
Cable

15504 BK – 250' length

8-Gauge  
Low Voltage  
Cable

15503 BK – 250' length

Gel Filled  
Wire Connector  
(optional)



15579 BK  
15589 BK

For connecting #8, 10, 12 & 18 gauge landscape wiring. Consult full line catalog or go to [landscapelighting.com](http://landscapelighting.com) for approved combinations

Pro Series  
Wire Connector



15529 BL

Bulk pack of 100 connectors

QUIC DISC®  
Connector



15509 BK

For use with #12-2 or #10-2 low voltage cable only

## LOW VOLTAGE TRANSFORMERS

Professional  
Series  
Transformers



15PR75 SS – 75 Wattage (VA)  
15PR100 SS – 100 Wattage (VA)  
15PR200 SS – 200 Wattage (VA)  
15PR300 SS – 300 Wattage (VA)  
15PRD600 SS – 600 Wattage (VA)  
15PR600 SS – 600 Wattage (VA)  
15PR900 SS – 900 Wattage (VA)  
15PR1200 SS – 1200 Wattage (VA)

Features a stainless steel case

Plus Series  
Transformers



15PL75 AZT – 75 Wattage (VA)  
15PL100 AZT – 100 Wattage (VA)  
15PL200 AZT – 200 Wattage (VA)  
15PL300 AZT – 300 Wattage (VA)  
15PL600 AZT – 600 Wattage (VA)  
15PL900 AZT – 900 Wattage (VA)

Features a powder coated case

## LOW VOLTAGE TRANSFORMERS

Manual Series  
Transformers



15M100 AZT – 100 Wattage (VA)  
15M200 AZT – 200 Wattage (VA)  
15M300 AZT – 300 Wattage (VA)  
15M600 AZT – 600 Wattage (VA)

Features a powder coated case

Economy  
Transformers



15E60 BK – 60 Wattage (VA)  
15E120 BK – 120 Wattage (VA)

## TRANSFORMER ACCESSORIES

Mechanical  
Transformer  
Timer



15557 BK

Can be used with Professional and Plus Series Transformers

Digital  
Transformer  
Timer



15556 WH

Can be used with Professional and Plus Series Transformers

Remote Plug-In  
Transformer  
Photocell



15534 BK

Can be used with Professional and Plus Series Transformers

Plug-In  
Transformer  
Photocell



15565 BK

Can be used with Professional and Plus Series Transformers

Synchronizer  
Device



15511 BK

Synchronize all transformers so they turn on and off at the same time

To locate a distributor and for complete warranty details, go to [landscapelighting.com](http://landscapelighting.com)